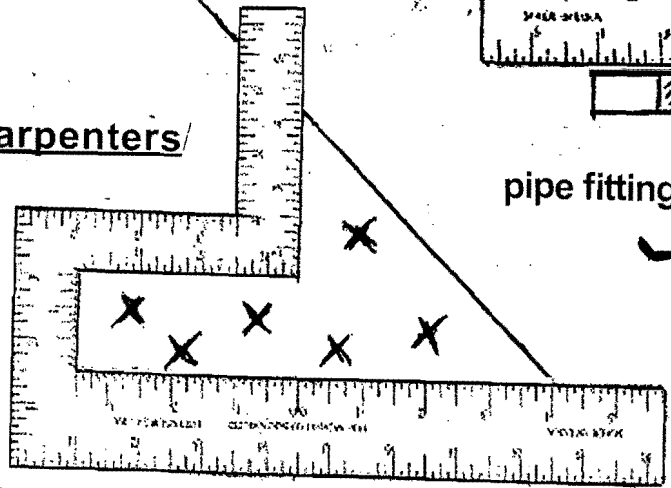
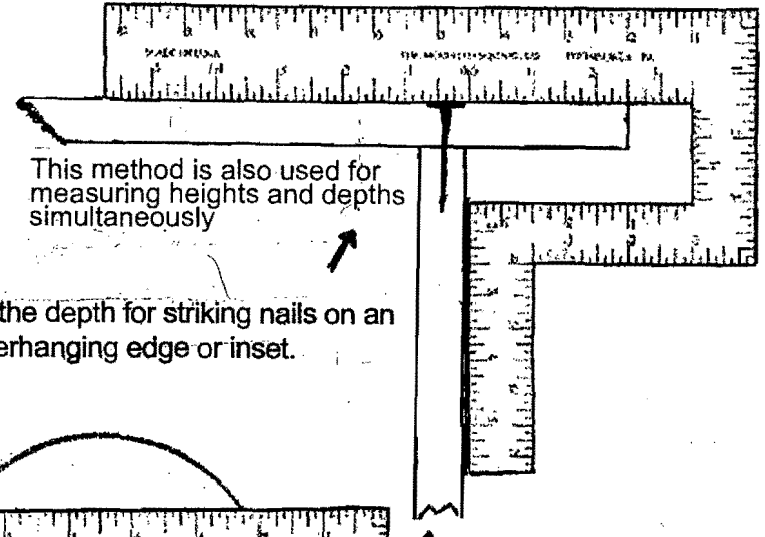
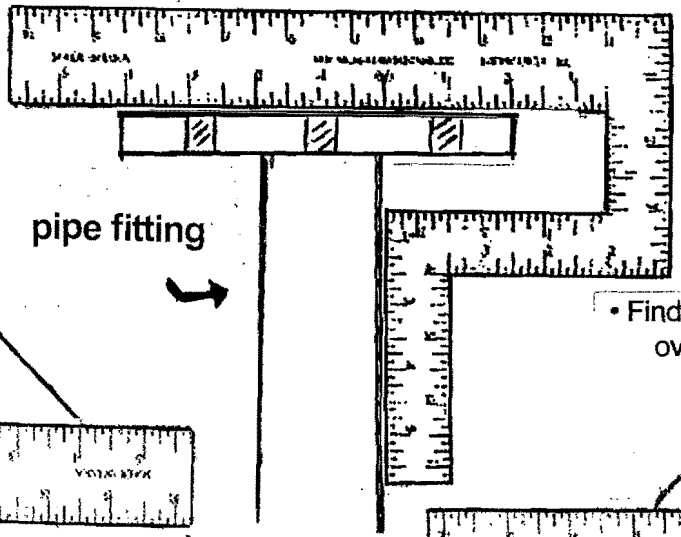


© 2009  
Modified Square

Carpenters



The Modified Square is also good for stair stringer notch outs and stair stringer layouts. Design is preset for 2x4 notch outs if needed.

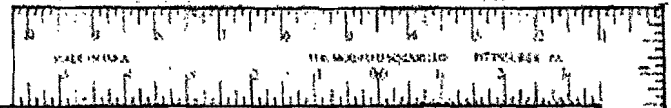


• Find the depth for striking nails on an overhanging edge or inset.

- Zero/Zero center finding ruler for your work materials.
- T-square effect design
- 3-points of centering

Visit our web site to see more  
[www.modifiedsquare.com](http://www.modifiedsquare.com)

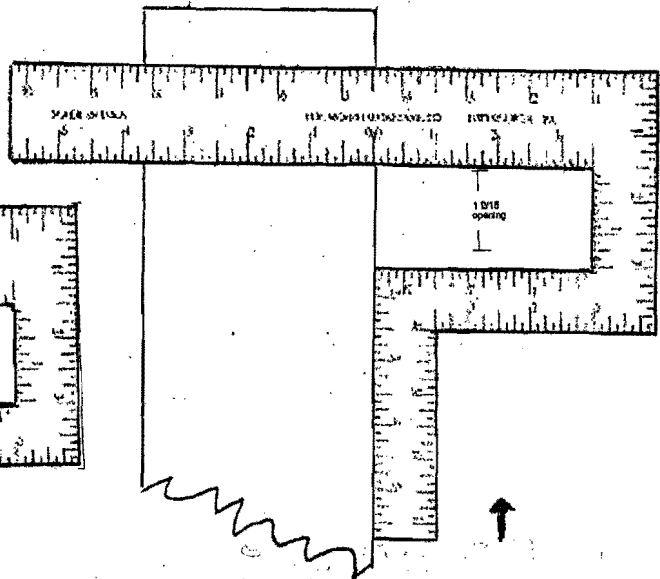
Great for structural steel, pipe fitting



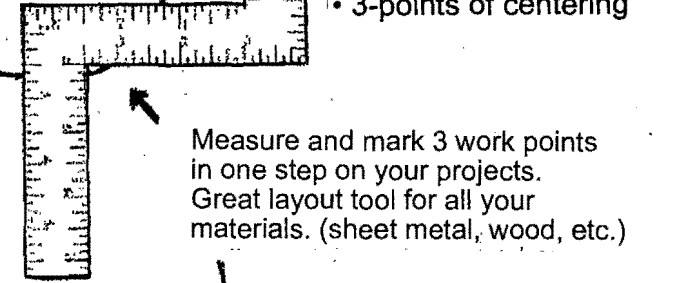
Suggested Retail Price of \$24.95

412-331-7802

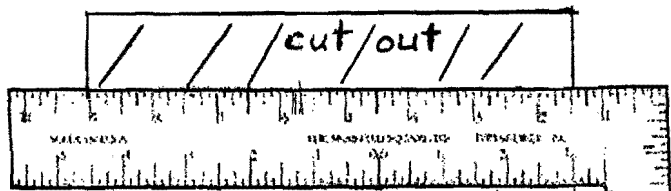
American Made



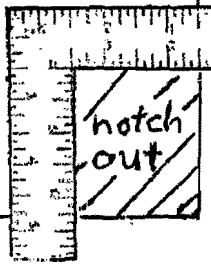
Regular squaring and straight line cut marking are no problems. The 4 90° angles give the feature of a handle like tri-squaring, which is also helpful for reaching up to square something.



Measure and mark 3 work points in one step on your projects. Great layout tool for all your materials. (sheet metal, wood, etc.)



floor and tile layouts.



notch out

The Modified Square Co